

KORD-Valmark™

Labware Products

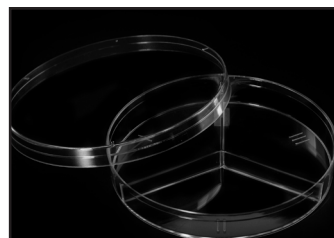
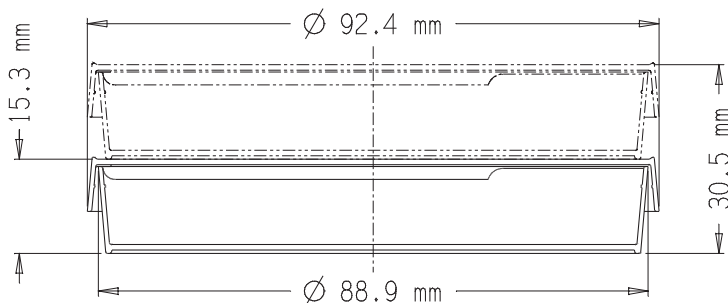
by Bioplast Manufacturing



4012 - 100 x 15 mm Slippable Tri-Plate

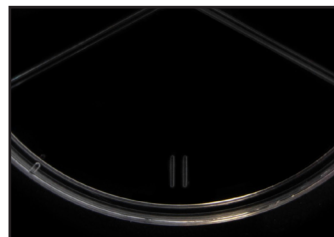
- Designed for simultaneous studies of organisms in a common environment
- Three marked compartments for easy identification
- Disposable (single use) polystyrene petri dish for general microbiological use
- Optically clear
- Radiation sterilized
- Contents sterile if sleeve is unopened
- Ventilation ribs allow for free air circulation and reduce condensation during incubation
- Consistent flatness allows for even media distribution
- Flared lid skirt and squared corners for easy one-hand operation, especially with gloves
- Certificates of Sterilization Processing available upon request
- Traceable by lot and SKU number
- Certificates of Compliance available upon request
- No Rim for ease of use in Automation Equipment

Rim Feature	Code	Nominal Size (mm)	Style	ISO Mark Target
No Rim	4012	100 x 15	Tri	No



Manufactured to the highest quality for consistent flatness and even media distribution

Dishes/ Sleeve	Dishes/ Box	Box/ Pallet	Box Dimensions			Box Cubic	Box Weight
			L	W	H		
25	500	30	19.25 in	15.50 in	16.00 in	2.76 ft ³	22.85 lbs
			48.90 in	39.37 cm	40.64 cm	0.08 m ³	10.36 kgs



Marked compartments for easy identification

BIOPLAST MANUFACTURING, L.L.C.

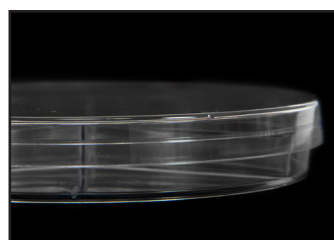
128 WHARTON ROAD • BRISTOL, PA 19007

CUSTOMER SERVICE

TOLL FREE: 877-877-9680

EMAIL: SALES@BIOPLASTMFG.COM

WWW.KORD-VALMARK.COM



Raised partition for automation equipment



KORD-Valmark™

Labware Products

by Bioplast Manufacturing

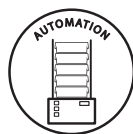
Manufactured to the highest quality
for consistent flatness- radiation
sterilized

Ventilation Ribs allow for full air
circulation and reduce condensation
during incubation

Flared lid Skirt and squared corners
for easy one-hand operation,
especially with gloves



Stackable Petri Dishes for General Use							
Nominal Size (mm)	KV Code	Style	Rim Feature	Unique Feature	Dishes/Sleeve	Dishes/Case	Cases/Skid
60 x 15	2901	Mono	Stackable	Media Saver	20	500	72
100 x 15	2900	Mono	Stackable	Industry Standard	25	500	30
100 x 15	2903	Bi	Stackable	Two Compartments	25	500	30
100 x 15	2912	Tri	Stackable	Three Compartments	25	500	30
100 x 15	2913	Quad	Stackable	Four Compartments	25	500	30
100 x 25	2906	Mono	Stackable	Extra Deep Dish	17	340	30



Automation Petri Dishes (Slippable / No Rim Lid Designs)									
Nominal Size (mm)	KV Code	Style	Rim Feature	Unique Feature	Iso Mark Target	Dishes/Sleeve	Dishes/Case	Cases/Skid	
60 x 15	2916	Mono	Slippable	Media Saver	No	20	500	72	
95 x 15	2914	Mono	Slippable	Media Saver	No	25	500	30	
100 x 10	2904	Mono	Slippable	Space Saver	No	30	750	24	
100 x 15	2910	Mono	Slippable	The Industry Standard	Yes	25	500	30	
100 x 15	2917	Mono	Slippable	Clear Viewing Surfaces	No	25	500	30	
100 x 15	2920	Mono	No Rim	Automated Lid	No	25	500	30	
100 x 15	2911	Bi	Slippable	Two Compartments	Yes	25	500	30	
100 x 20	2905	Mono	Slippable	Deep Dish, 20mm	Yes	20	400	30	
100 x 25	2909	Mono	Slippable	Extra Deep for Seed Germination Tests	No	17	340	30	
85 x 13	2950	Mono	Fully Stackable/Slippable	New 85 x 13 Ultra Plate	Yes	30	600	30	
150 x 15	2902	Mono	No Rim	Concentric Bottom Ring Ensures Even Media Depth	No	10	100	40	
65x15	1000	Contact Plate	Slippable	Convex Bottom	No	25	500	63	
100x15	3012	Tri	Slippable	Three Compartments	Yes	25	500	30	
100x15	3013	Quad	Slippable	Four Compartments	Yes	25	500	30	
100x10	3044	Mono	Slippable	Space Saver	Yes	30	750	24	
100x10	4004	Mono	No Rim	Media Saver	No	30	750	24	
100x20	4005	Mono	No Rim	Deep Dish	Yes	20	400	30	
100x25	4006	Mono	No Rim	Extra Deep for Seed Germination Tests	No	17	340	30	
100x15	4010	Mono	No Rim	ISO	Yes	25	500	30	
100x15	4011	Bi	No Rim	Two Compartments	Yes	25	500	30	
100x15	4012	Tri	No Rim	Three Compartments	Yes	25	500	30	
100x15	4013	Quad	No Rim	Four Compartments	Yes	25	500	30	